

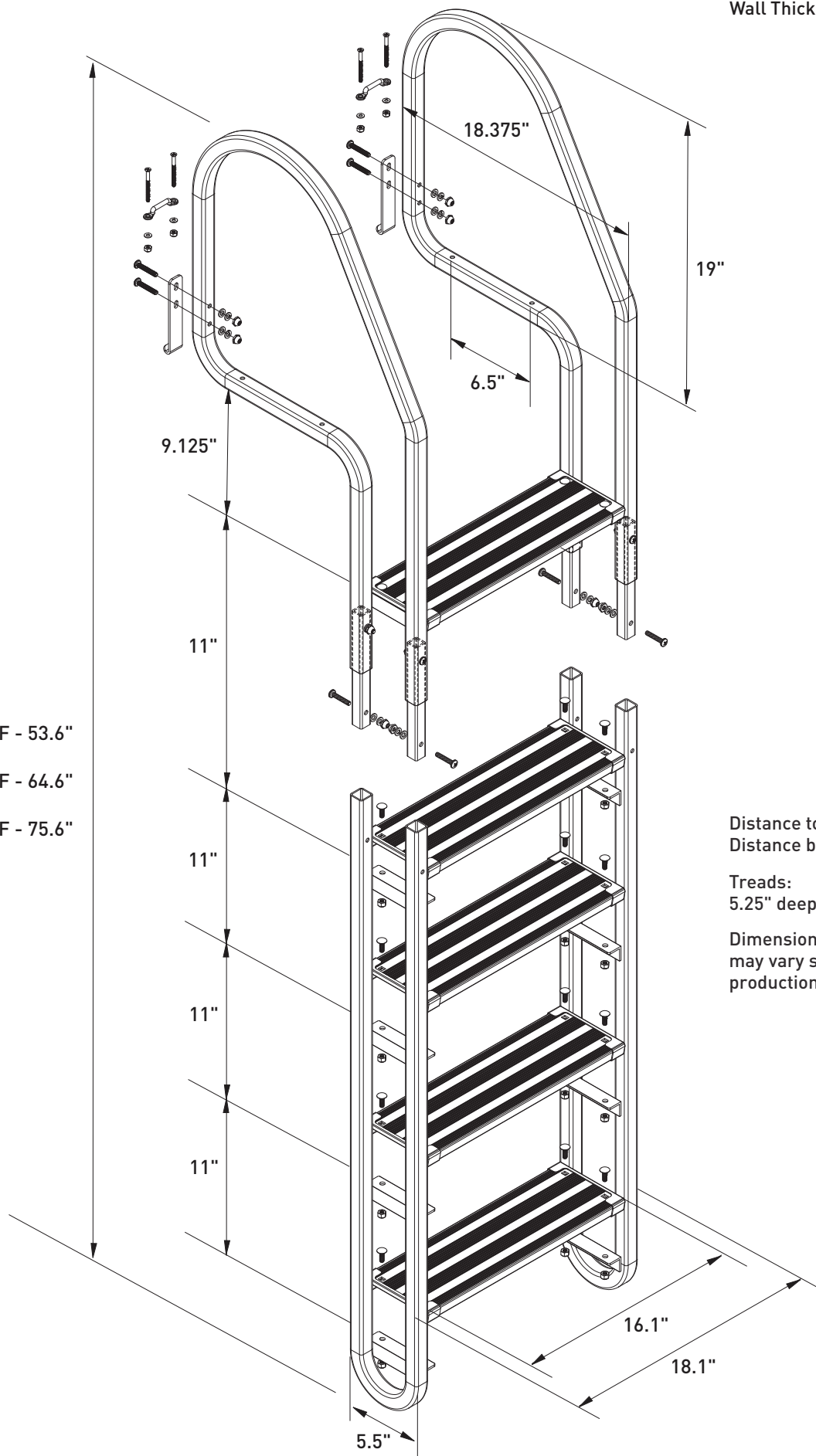
DOCK EDGE

Quick Release Dock Ladders:
DE2003F, DE2004F & DE2005F
1" Square tube, welded aluminum
Wall Thickness 0.082"

DE2003F - 53.6"

DE2004F - 64.6"

DE2005F - 75.6"



Distance to first step: 9.125"
Distance between steps: 11"

Treads:
5.25" deep x 16.1" wide

Dimensions are nominal and
may vary slightly by design,
production run or necessity.